

## HEGLERFLEX-SHK KIWA

### Jacket Pipe

**Flexible plastic jacket pipes for use in heating and sanitary engineering**



#### Application

The HEGLERFLEX-SHK KIWA jacket pipe is a flexible protective tube used with pipelines for heating and sanitary engineering inside buildings. The stability requirements for protective tubes, specifying an adequate deformation resistance during construction and in the installed condition, are complied with. The specifications in Part D of the KIWA BRL-K 536 and the KOMO BRL 5607 assessment guides are met.

#### Type of pipe

Corrugated pipe, outside and inside corrugated

#### Material

Polyethylene PE, halogenfree – without flame retardants

Material characteristics:

Modulus of elasticity [Mpa]	DIN EN 53455 > 1000
Impact resistance [kJ/m <sup>2</sup> ]	DIN 53453 NB
Yield strength [Mpa]	DIN EN 53455 > 22
Ultimate tensile strength [%]	DIN EN 53455 > 300

#### Pollutants/ Resistance

Polyethylene is resistant to all aqueous acids and bases, among which rank fuels, oils, greases and alcohols. It is not resistant to concentrated, highly oxidizing acids.

PE is classified as harmless substance in terms of health. According to the 1999/45/EG regulation, it is toxicologically safe.

#### Colour

**Standard:** Black  
**On request:** white, red, blue

#### Temperature resistance

Admissible temperature range (without mechanical loads):  
short-term: from -25°C to +90°C  
permanent: from -25°C to +60°C

#### Quality

Quality control according to QM manual

KIWA assessment guide BRL-K 536 Part D

KOMO assessment guide BRL 5607

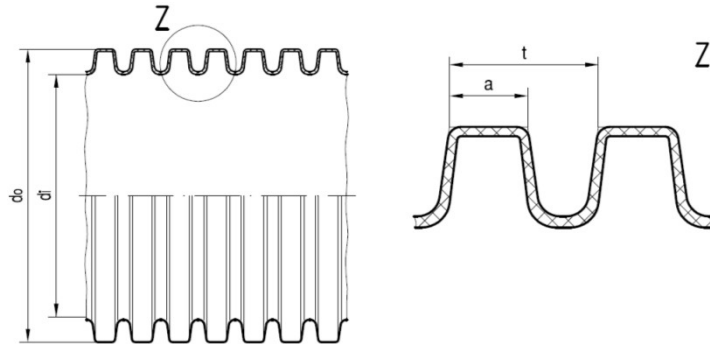


## HEGLERFLEX-SHK KIWA

Jacket pipe for heating and sanitary engineering

**Product geometry/**

**Compression strength**



DN	d <sub>o</sub> (mm)	d <sub>i</sub> (mm)	a (mm)	t (mm)
16/21	20.7 ±0.5	≥ 16.0	2.3 -0.3	3.6 ±0.3
20/25	24.7 ±0.5	≥ 20.0	2.4 -0.3	3.8 ±0.3
23/28	28.5 ±0.5	≥ 22.7	2.5 -0.3	4.0 ±0.3
28/34	34.5 ±0.5	≥ 28.0	2.8 -0.3	4.4 ±0.3

**Pipe length**

Customer-specific pipe lengths

**Storage**

Outdoor storage up to 12 months possible.  
It is recommended that the storing place be roofed or covered.