

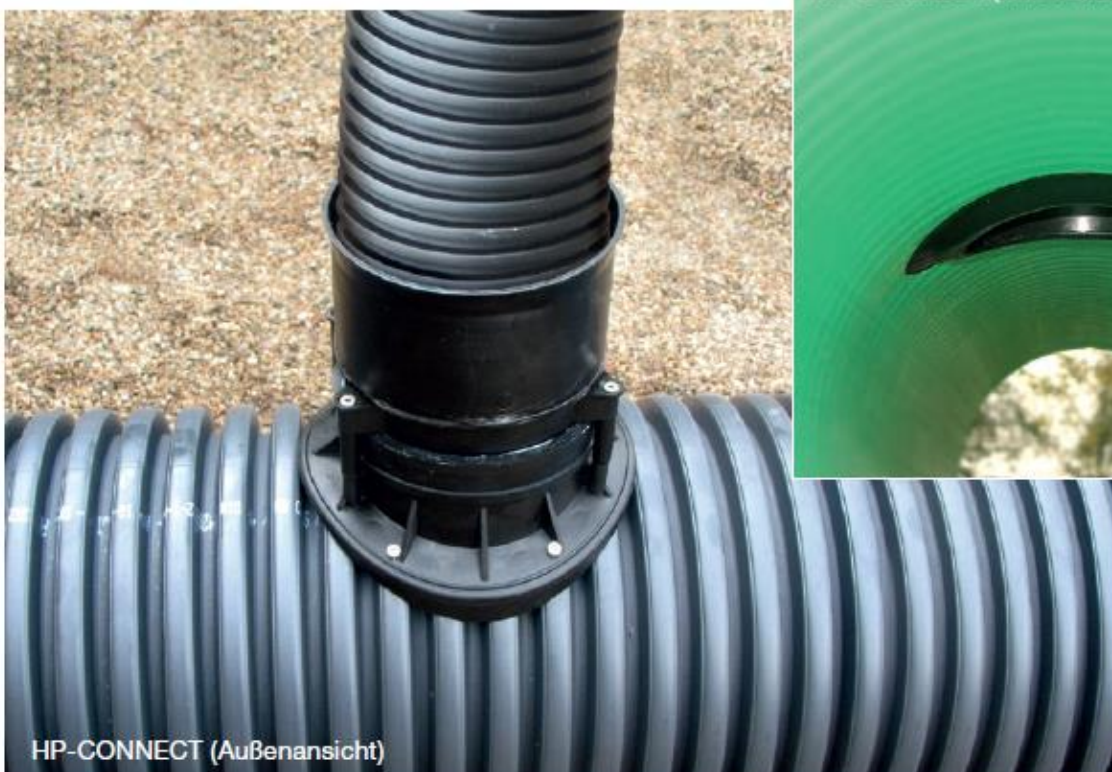
HP-CONNECT Saddle Connection for Storm and Waste Water Sewers

Advantages of HP-CONNECT

- Connection to existing twin wall pipe lines of nominal sizes between DN 250 and DN 800
- Self-sealing connecting element, thus high reliability in operation
- No components protruding into the twin wall pipe, thus optimized inside in terms of hydraulics
- Resistant to shearing forces
- Easy and reliable assembly even under difficult conditions

Pipes that can be connected

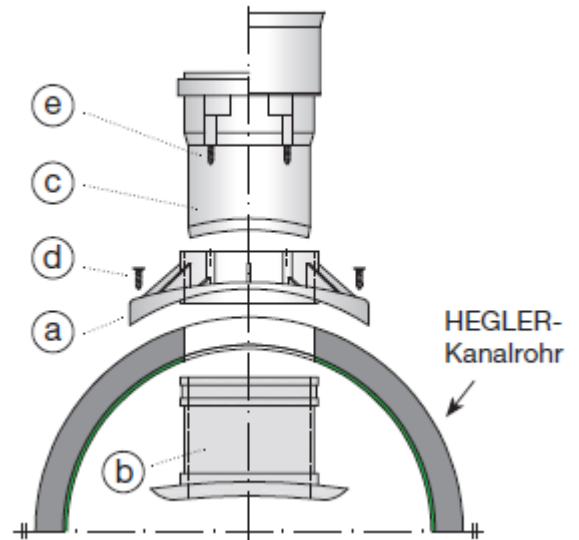
- AQUATUB-*Rw* DN 150
- AQUATUB-*RwR* DN 150 and DN 200
- CANALTUB DN 150
- PVC Solid Wall Pipes DN 160 and DN 200 (to DIN EN 1401)



HP-CONNECT

The Product

- (a) Saddle flange
- (b) Sealing element
- (c) Upper part with coupling and pipe inside
- (d) Fixing screws
5 x 30 mm (4 pieces)
- (e) Tightening screws
6 x 90 mm (4 pieces)



Pipes that can be connected



AQUATUB-RwR (coiled product)

The flexible pipe line AQUATUB-RwR allows quick and economic joints between road gullies and collectors, without additional fittings.



AQUATUB-Rw (straight lengths)

For joints in narrow bends, the use of AQUATUB-Rw in straight lengths with corresponding fittings is recommended.



HP Sewer Pipe (straight lengths)

A high degree of operational reliability permits HP-CONNECT to be used for subsequent connections to the HP Sewer Pipe system (waste/foul water sewers). The test requirements of DIN EN 1610 are exceeded by far.



Solid-Wall Pipe (DIN EN 1401)

There is a special connecting kit to allow connection to smooth walled plastics pipes.

Installation Guide for HP-CONNECT

- 1 Set of product components as illustrated in the opposite drawing



- 2 Use HEGLER hole saw to drill connecting inlet. Make sure that centre drill is positioned in a corrugation valley of twin wall pipe.



- 3 Fit saddle piece to drill hole and align uniformly on outer surface of twin wall pipe. For fixing saddle on pipe use attached fixing screws. Make sure that each screw is placed in the centre of a corrugator top.



- 4 Fold sealing element at marked position and insert in drill hole so that sealing lip can unfold in pipe inside. Align sealing element in a way that arrows are pointing to lateral axis. Lift sealing element until its lower edge is matching with upper edge of saddle piece.



- 5 Coat inner surface of sealing element and surface of inner pipe with a sufficient amount of HEGLER lubricant.



- 6 Position upper part with socket in a way that fastening points for tightening screws are matching. Brace upper part with saddle piece using attached tightening screws. Tighten crosswise!



Important:

- If possible, fittings for AQUATUB-Rw and HP Sewer Pipes should be transported and stored on site in the original packing and protected against ultraviolet radiation.
- Fittings should be cleaned by a wet cloth prior to assembly.
- Gliding surfaces should be fully coated with HEGLER lubricant prior to assembly.
- Make sure that fittings are not displaced when soil is refilled and compacted in this area.
- Deflection of connecting line in fittings should be avoided.

The information given in this brochure is the most up-to-date available and is intended to provide information on our products and their possible applications. It is not a guarantee of certain features, nor of their suitability for certain specific applications. Our guarantee applies to compliance with our specifications, within the scope of our General Terms and Conditions.
The schematic drawings (pipe/accessories) are indicative only. They are not binding as to product geometry.
Subject to changes.

HP-CONNECT

Product	Item No.
AQUATUB-Rw/HP Sewer Pipe DN 150	
DN 150/250*	7811025
DN 150/300	7811030
DN 150/400	7811040
DN 150/500	7811050
DN 150/600	7811060
DN 150/800**	7811080
AQUATUB-RwR DN 150, DN 200	
DN 150/300	7811030
DN 150/400	7811040
DN 150/500	7811050
DN 150/600	7811060
DN 150/800**	7811080
DN 200/300	7811130
DN 200/400	7811140
DN 200/500	7811150
DN 200/600	7811160
DN 200/800**	7811180
Solid-wall pipe DN 160, DN 200	
DN 160/250	7811225
DN 160/300	7811230
DN 160/400	7811240
DN 160/500	7811250
DN 160/600	7811260
DN 160/800**	7811280
DN 200/300	7811330
DN 200/400	7811340
Hole saw	
DN 150 (diam. 176.0 ± 1.0 mm)	7677422
DN 200 (diam. 217.0 ± 1.0 mm)	7677423

* no stock item

** in preparation

HEGLER



Well- und Verbundrohre
aus Kunststoff